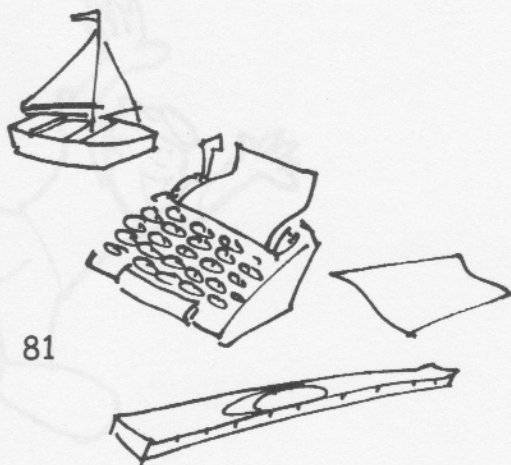
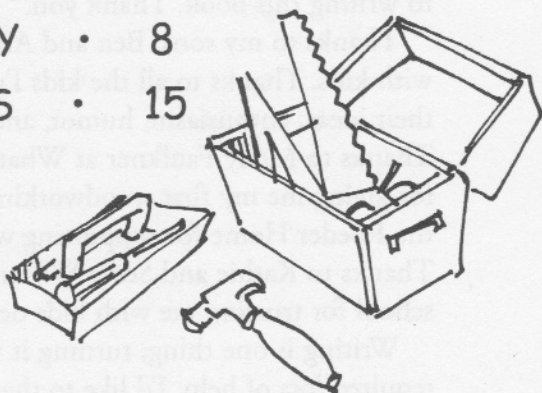


TABLE OF CONTENTS

INTRODUCTION	•	2
CHAPTER ONE: SAFETY	•	8
CHAPTER TWO: TOOLS	•	15
The Workbench	•	15
The Vice	•	16
Saws	•	20
Drills	•	32
Hammers	•	43
Clamps	•	43
The Square	•	45
Surform Planes	•	46
The Countersink and Nail Set	•	46
Sandpaper and Sanding	•	47
The Homemade Miter Block	•	49
The Hot Glue Gun	•	50
CHAPTER THREE: WOOD AND MEASURING	•	52
CHAPTER FOUR: NAILS AND SCREWS	•	58
CHAPTER FIVE: 52 PROJECTS	•	65
Wood Sanding	•	67
Wood Oiling	•	68
Tops I: Precut Disks	•	70
Tops II: Kid-Cut Disks	•	73
Key Chain	•	75
Wood Matching	•	76
Puzzles I: Precut Blanks	•	78
Puzzles II: Kid cut blanks	•	80
How to Make Lost Puzzle Pieces	•	81
Sculpture	•	83
Pencil Holder	•	85
Furniture	•	86
Film Canisters: Airplanes, Rafts and People	•	89
Wooden Airplanes	•	92
"Mom" Sign with Nail Lettering	•	93
"Dad" Sign with Hole Lettering	•	95
Magic Sieve	•	96
Camera Obscura	•	98
Magnet Post	•	101
Nail Puzzle	•	102



Boats	•	104
Balloon Boat	•	106
Hovercraft	•	108
Tic-Tac-Toe	•	110
Nail Board	•	112
Camping Stool	•	114
Mr. Bee	•	116
Basic Box	•	119
Tool or Planter Box	•	122
Fire Drill	•	124
Personal Ping-Pong	•	127
Yahoo Stick	•	128
Flipper	•	130
Marble Roll	•	133
Pegged Box	•	136
Branch Box	•	138
Glockenspiel	•	140
Do-Nothing-Machine	•	142
Step Stool	•	146
Whirlpool Bottles	•	148
Thumb Piano	•	150
Wheeled Vehicles	•	152
Kaleidoscope	•	154
"Log" Cabin	•	156
Sailboat Letter Holder	•	158
Whale Sculpture	•	159
Magnet Pendulum	•	160
Stilts	•	162
Bird Feeder	•	165
Climbing Bear	•	167
Rope Machine	•	170
Just a "Nuf"	•	176
APPENDIX	•	179
A Tool List	•	179
Tools You Can Make	•	182
Take-Apart	•	191
Mechanical Puzzles	•	192
BIBLIOGRAPHY	•	197
PLANS	•	198
ABOUT THE AUTHOR	•	199
INDEX	•	200

